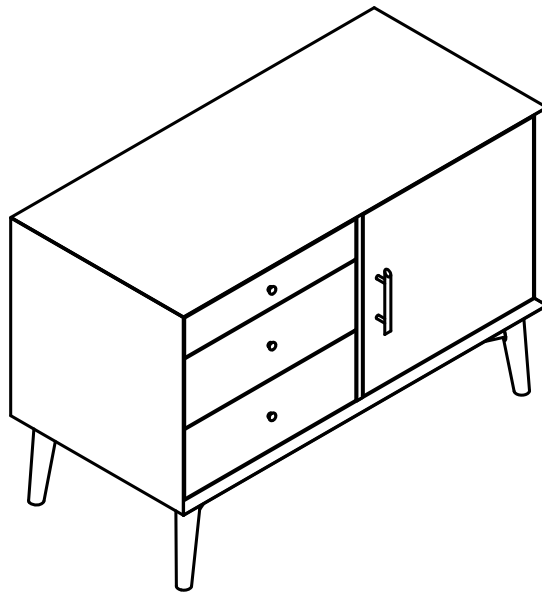
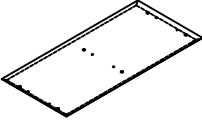
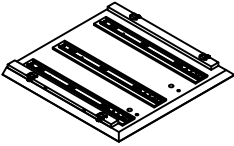
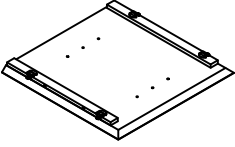
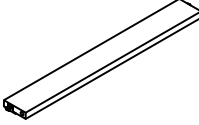
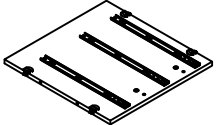
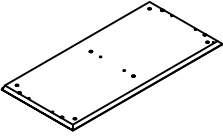
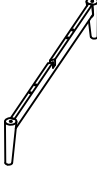
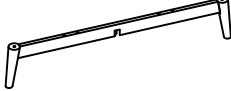
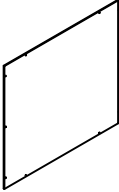
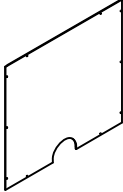
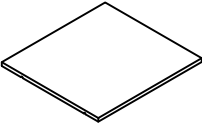
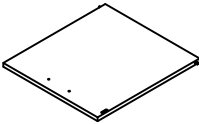
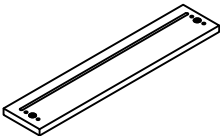
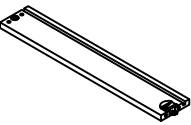
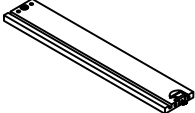
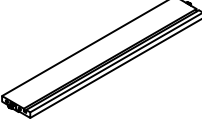
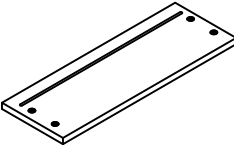
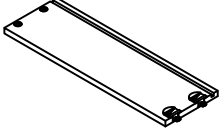
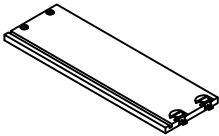
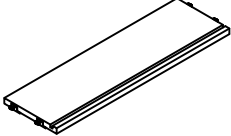
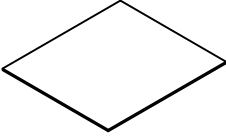








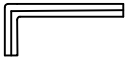







Media Console
CF1106



PART LIST

<p>A</p> 	<p>B</p> 	<p>C</p> 	<p>D</p> 	<p>E</p> 
<p>Top Panel 1 PC</p>	<p>Left Side Panel 1 PC</p>	<p>Right Side Panel 1 PC</p>	<p>Front Rail 2 PCS</p>	<p>Dividing Panel 1 PC</p>
<p>F</p> 	<p>G</p> 	<p>H</p> 	<p>I</p> 	<p>J</p> 
<p>Bottom Panel 1 PC</p>	<p>Front Leg Frame 1 PC</p>	<p>Back Leg Frame 1 PC</p>	<p>Right Back Panel 1 PC</p>	<p>Left Back Panel 1 PC</p>
<p>K</p> 	<p>L</p> 	<p>M</p> 	<p>N</p> 	<p>O</p> 
<p>Adjustable Shelf 1 PC</p>	<p>Door Panel 1 PC</p>	<p>Front of Top Drawer 1 PC</p>	<p>Left Side Panel of Top Drawer 1 PC</p>	<p>Right Side Panel of Top Drawer 1 PC</p>
<p>P</p> 	<p>Q</p> 	<p>R</p> 	<p>S</p> 	<p>T</p> 
<p>Back Panel of Top Drawer 1 PC</p>	<p>Front of Bottom Drawer 2 PCS</p>	<p>Left Side Panel of Bottom Drawer 2 PCS</p>	<p>Right Side Panel of Bottom Drawer 2 PCS</p>	<p>Back Panel of Bottom Drawer 2 PCS</p>
<p>U</p>  <p>Bottom Panel of Drawer 3 PCS</p>				

HARDWARE LIST

<p>#1</p>  <p>Ø6x30</p>	<p>#2</p>  <p>Ø8x30</p>	<p>#3</p>  <p>M6x30</p>	<p>#4</p>  <p>M6x60</p>	<p>#5</p>  <p>M4</p>
<p>Wood Dowel 33 PCS (Extra 1)</p>	<p>Large Wood Dowel 13 PCS (Extra 1)</p>	<p>Bolt 4 PCS</p>	<p>Long Bolt 4 PCS</p>	<p>Allen Wrench 1 PC</p>
<p>#6</p> 	<p>#7</p>  <p>D6xØ3x12</p>	<p>#8</p>  <p>Ø7x2.5x12mm</p>	<p>#9</p>  <p>Ø8*5*16</p>	<p>#10</p> 
<p>Magnet 1 PC</p>	<p>Magnet Screw 2 PCS</p>	<p>Panel Screw 18 PCS (Extra 1)</p>	<p>Shelf Holder 4 PCS</p>	<p>Knob 3 PCS</p>
<p>#11</p> 	<p>#12</p>  <p>M4x18</p>			
<p>Handle 1 PC</p>	<p>Round Head Bolt 5 PCS</p>			

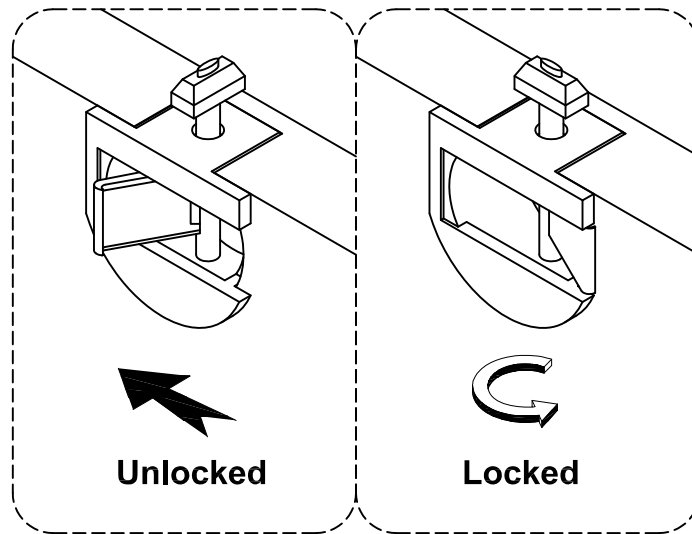
ADDITIONAL TOOLS (Not Provided)

Note: It is not recommended to use power tools during assembly.



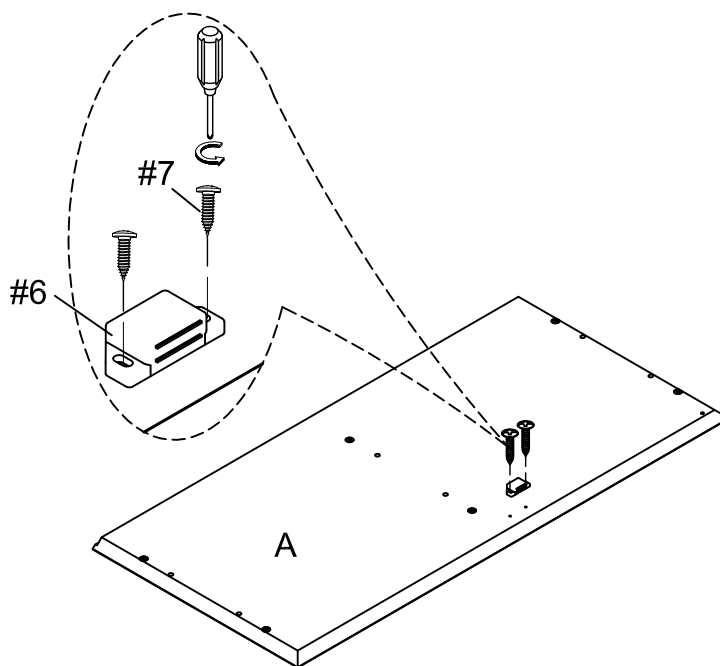
Phillips Head Screwdriver



Please do not use tools to assemble this unit unless specifically indicated.



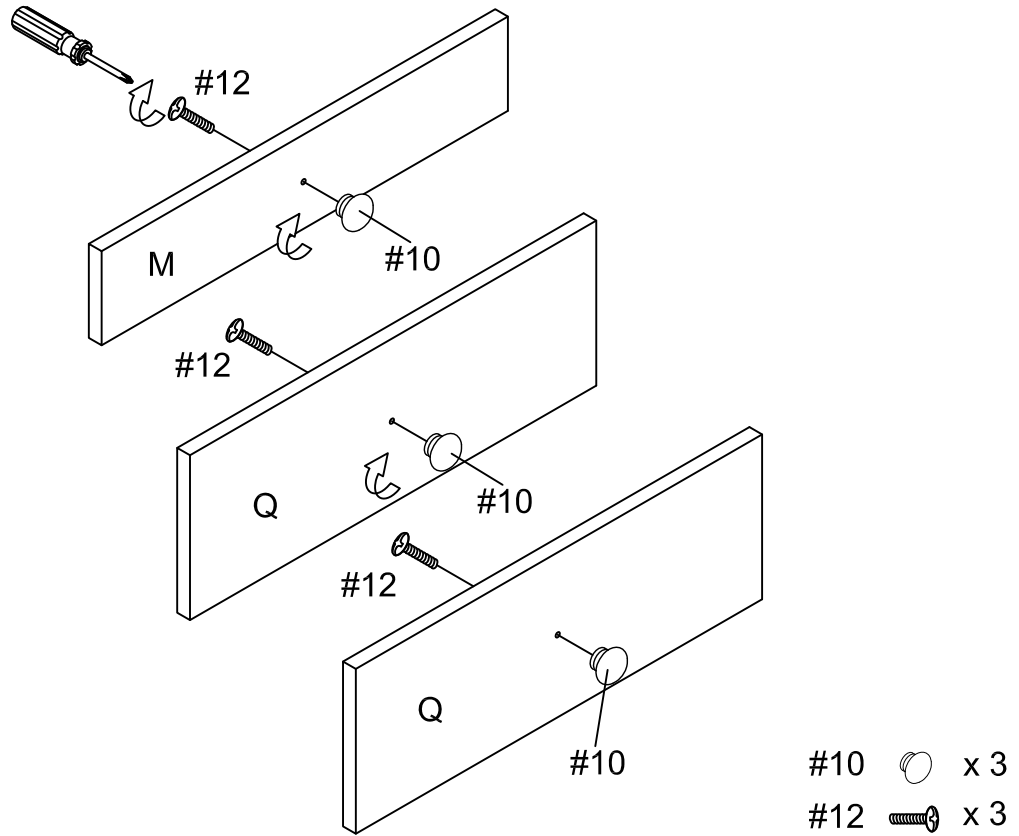
Reference the images above any time the instructions state "lock the hardware".
Note: Be sure to check all hardware is locked when completed.

Step 1. Attach magnet (part #6) to pre-drilled holes of top panel (part A) by using magnet screws (part #7) and phillips head screwdriver.

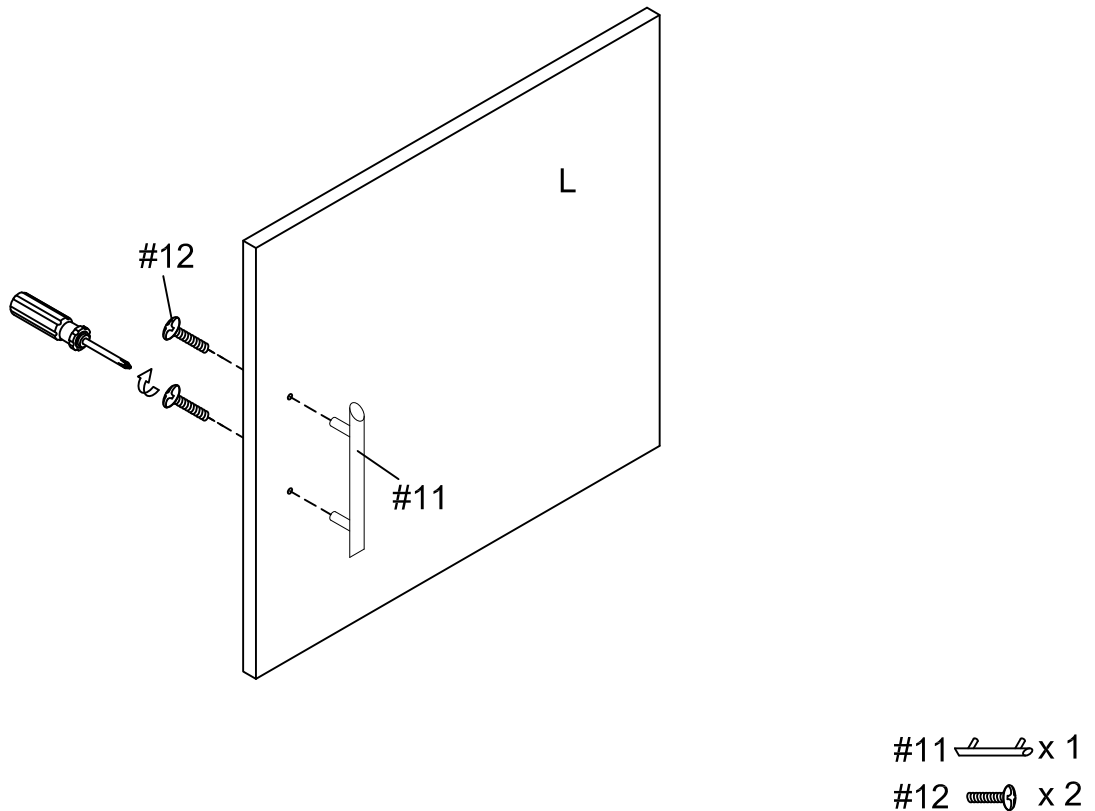


- #7  x 2
- #6  x 1

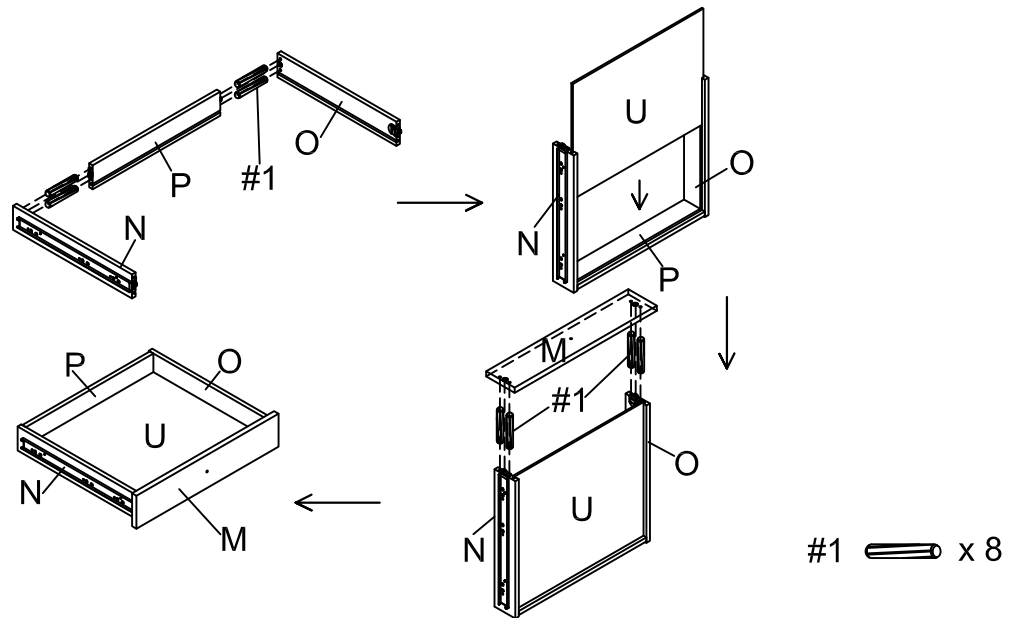
Step 2. Attach knobs (part #10) to front of top drawer (part M) and front of bottom drawers (part Q) by using round head bolts (part #12) and phillips head screwdriver.



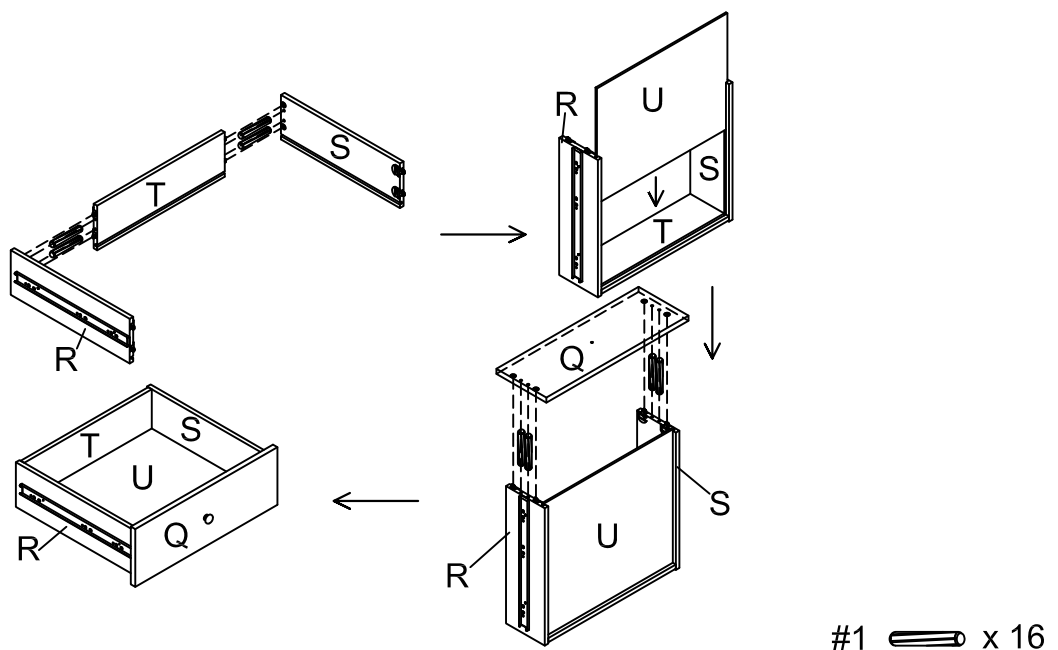
Step 3. Attach handle (part #11) to door panel (part L) using round head bolts (part #12) and phillips head screwdriver.



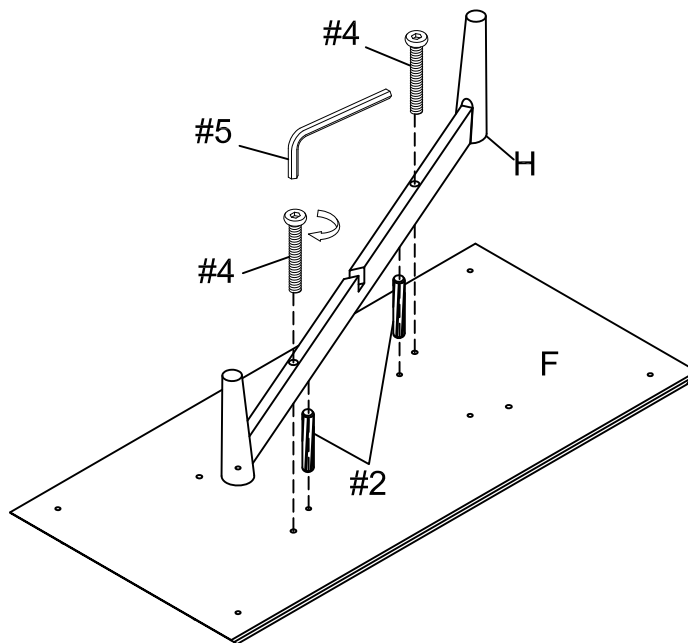
Step 4. Attach left side panel of top drawer (part N) and right side panel of top drawer (part O) to back panel of top drawer (part P) by using wood dowels (part #1) and lock the hardware. Slide bottom panel of drawer (part U) into the grooves of left side panel of top drawer (part N) and right side panel of top drawer (part O). Attach front of top drawer (part M) to left side panel of top drawer (part N) and right side panel of top drawer (part O) by using wood dowels (part #1) and lock the hardware.




Step 5. Attach left side panels of bottom drawers (part R) and right side panels of bottom drawers (part S) to back panels of bottom drawers (part T) by using wood dowels (part #1) and lock the hardware. Slide bottom panels of drawers (part U) into the grooves of left side panels of bottom drawers (part R) and right side panels of bottom drawers (part S). Attach front of bottom drawers (part Q) to left side panels of bottom drawers (part R) and right side panels of bottom drawers (part S) and lock the hardware.

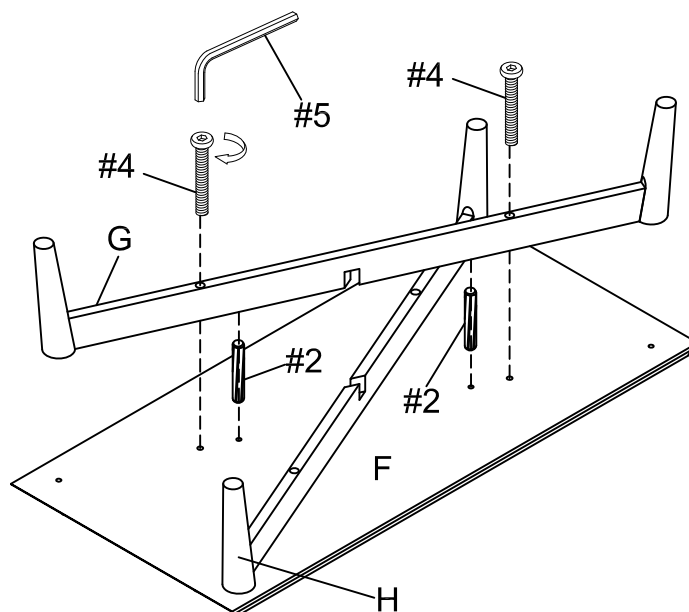





Step 6. Attach back leg frame (part H) to bottom panel (part F) by using large wood dowels (part #2), long bolts (part #4) and allen wrench (part #5).



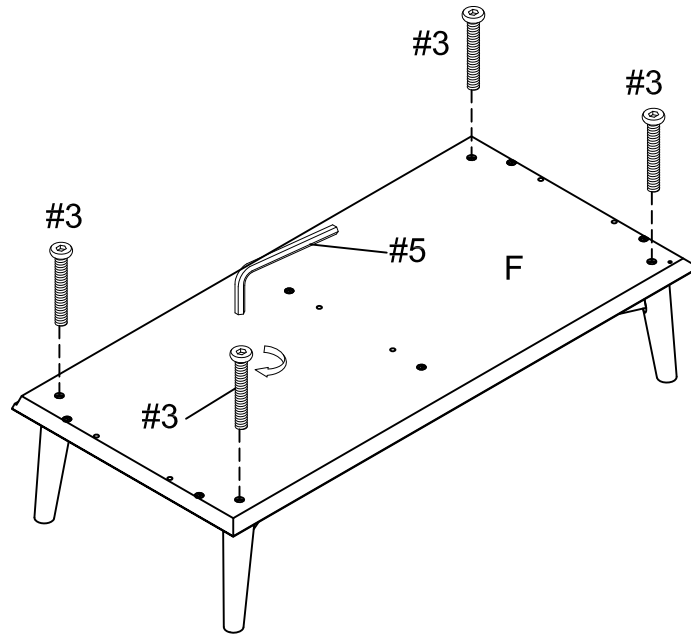
- #2  x 2
- #4  x 2
- #5  x 1

Step 7. Attach front leg frame (part G) to bottom panel (part F) by using large wood dowels (part #2), long bolts (part #4) and allen wrench (part #5).



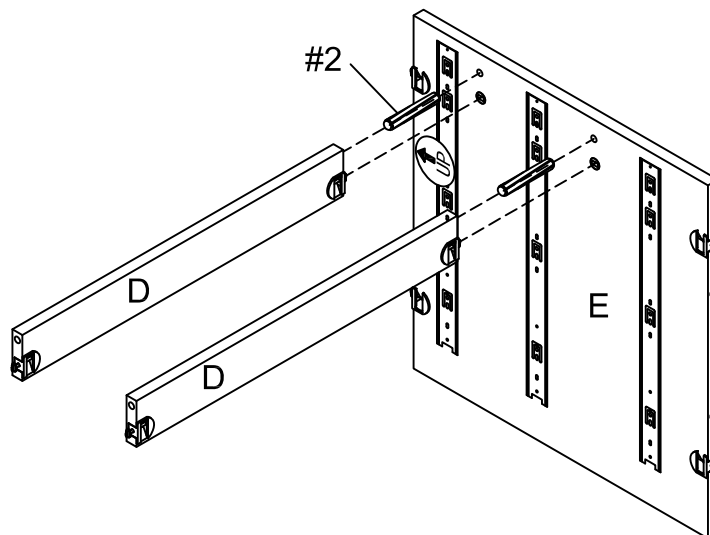
- #2  x 2
- #4  x 2
- #5  x 1

Step 8. Insert bolts (part #3) into bottom panel (part F) by using allen wrench (part #5).



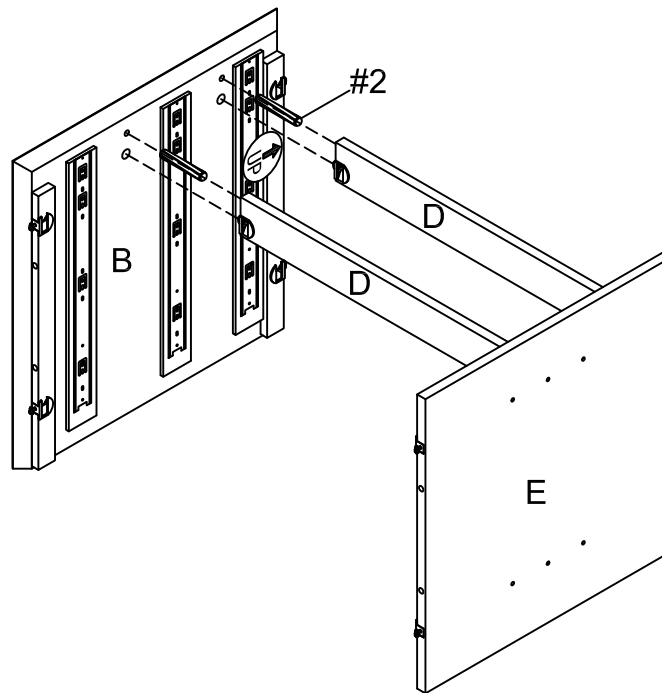
#3  x 4
#5  x 1


Step 9. Attach front rails (part D) to dividing panel (part E) by using large wood dowels (part #2) and lock the hardware.



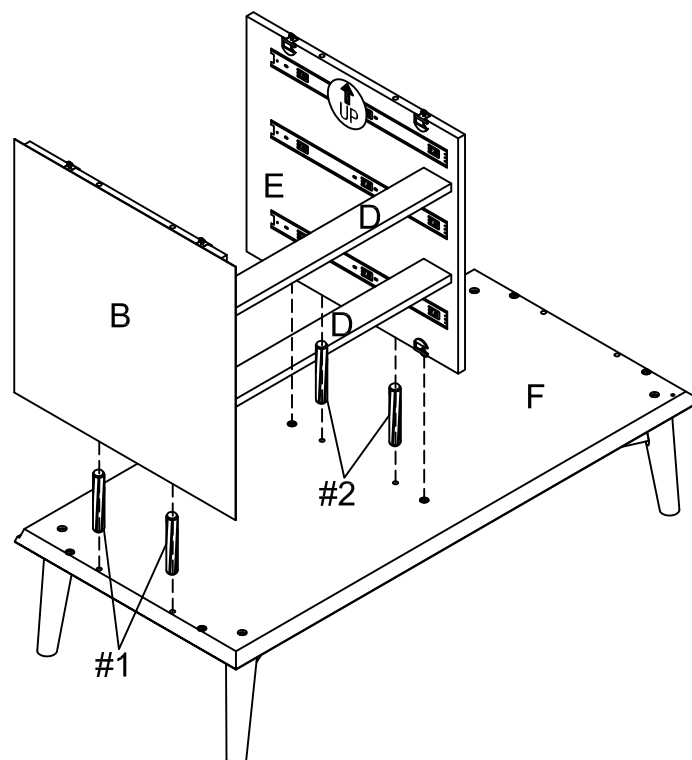
#2  x 2



Step 10. Attach left side panel (part B) to front rails (part D) by using large wood dowels (part #2) and lock the hardware.



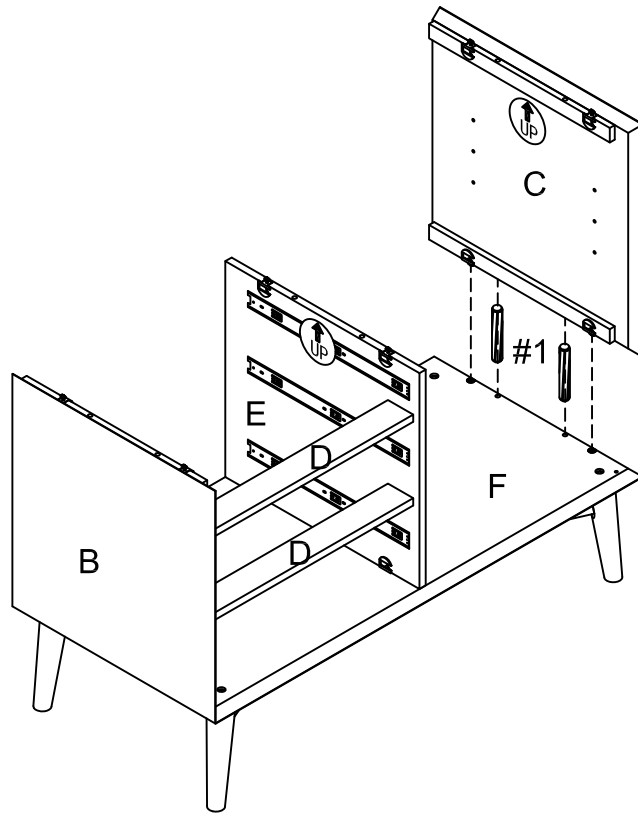
#2  x 2

Step 11. Attach left side panel (part B) and dividing panel (part E) to bottom panel (part F) by using wood dowels (part #1) and large wood dowels (part #2) and lock the hardware.



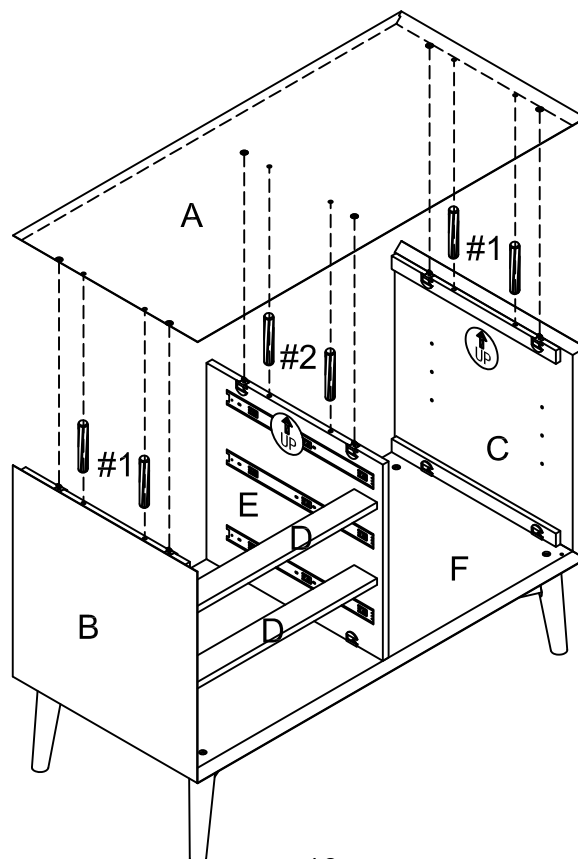
#1  x 2
#2  x 2



Step 12. Attach right side panel (part C) to bottom panel (part F) by using wood dowels (part #1) and lock the hardware.



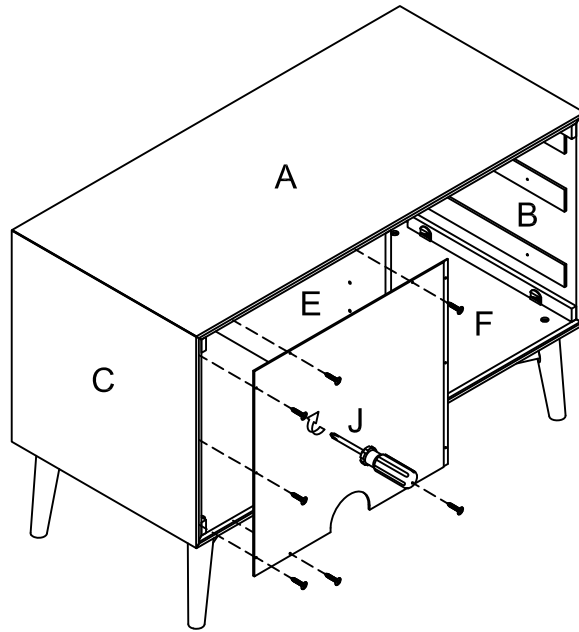
#1  x 2


Step 13. Attach top panel (part A) to left side panel (part B), dividing panel (part E) and right side panel (part C) by using wood dowels (part #1) and large wood dowels (part #2) and lock the hardware.



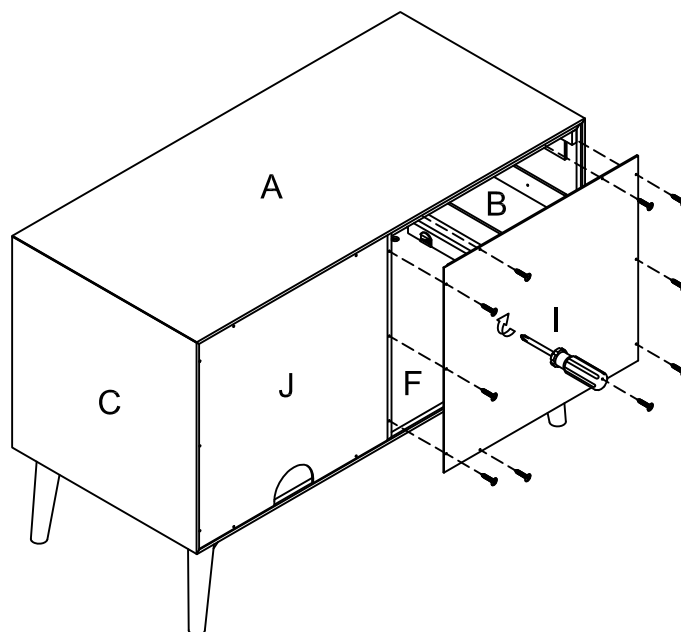
#1  x 4
#2  x 2

Step 14. Attach left back panel (part J) to top panel (part A), right side panel (part C), dividing panel (part E) and bottom panel (part F) by using panel screws (part #8) and phillips head screwdriver.



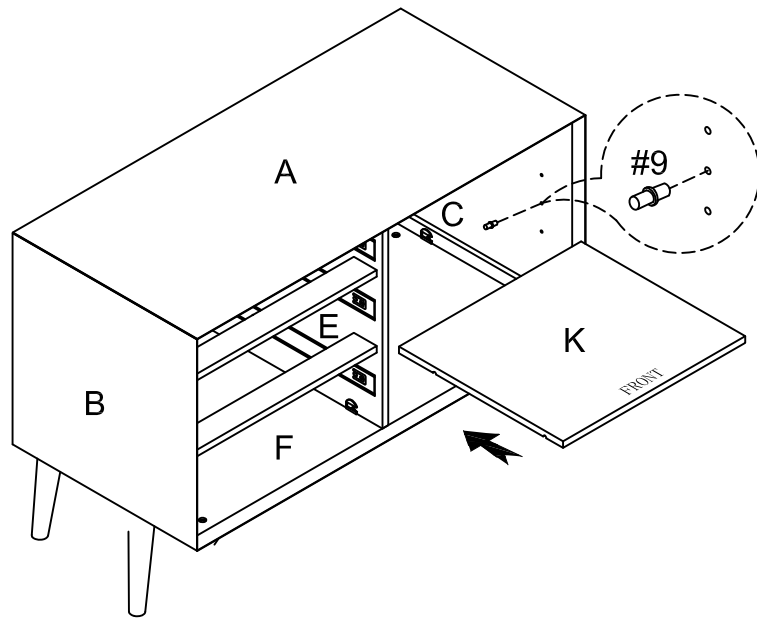
#8  x 7


Step 15. Attach right back panel (part I) to top panel (part A), left side panel (part B), dividing panel (part E) and bottom panel (part F) by using panel screws (part #8) and phillips head screwdriver.



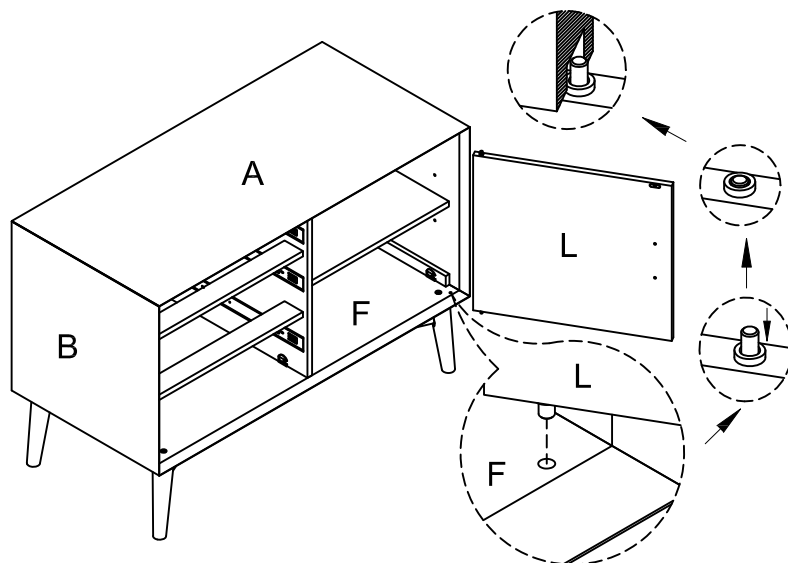
#8  x 10

Step 16. Insert shelf holders (part #9) into desired position and slide adjustable shelf (part K) into place.



#9  x 4

Step 17. Attach door panel (part L) to top panel (part A) and bottom panel (part F) by using hinges (pre-assembled).



Step 18. Slide completed drawers into place.

